

1250 AMPS

Totalizing Panel



Product Name	1250 AMPS
Manufacturer	Smart Link
Category	Totalizing Panel

TECHNICAL SPECIFICATIONS

Electrical Specifications	
System Voltage	3Ph., 400V, 50Hz, 4W
Neutral/Earth System	Separate (TN-S)
Major Components	Schneider Electric
Auxiliary Supply Voltage	230V AC
Auxiliary Supply Origin	From incomer
Bus Bars (mm)	
Main (vertical)	2x50x10 mm
Main (horizontal)	2x50x10 mm
Neutral	2x50x10 mm
Earth	50x5 mm
Branch	30x10mm, 20x10mm, 20x5mm
Connections	
Termination	Through busbar links Incoming / Outgoing
Access	Front Incoming / Outgoing
Entry	Bottom Incoming / Outgoing
Shrouding	All live parts Incoming / Outgoing

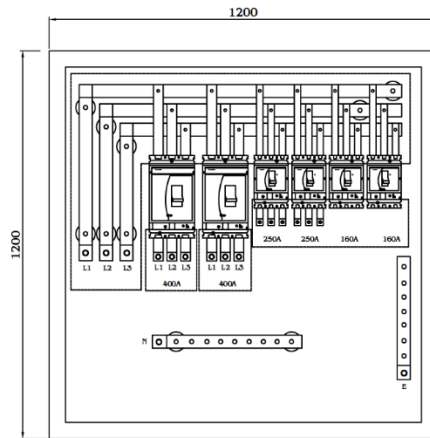
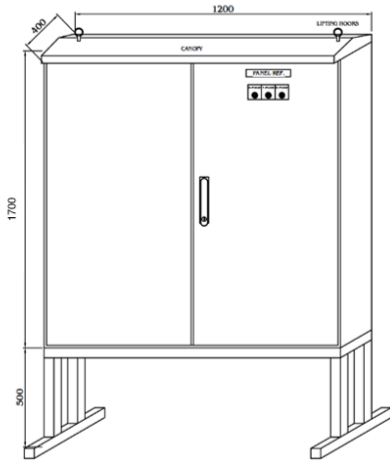
1250 AMPS

Totalizing Panel

Extras

Enclosure	U.A.E Canopy Stand
Material	Folded electro galvanized 1.66mm thick sheet steel
Degree of Protection	IP-55
Mounting	Pedestal
Presentation	Functional door
Type of Construction	Form-2

WEIGHTS & DIMENSIONS



Length (L) mm	Width (W) mm	Height (H) mm
1200 mm	4000 mm	1700 mm

Weight (kg)
Weight 325 kg

www.rentalgp.com

©2024 Glow Power Equipment Rental LLC

All rights reserved.

This publication is based on datasheets from respective manufacturers and is intended for informational purposes only. All trademarks and proprietary materials belong to their owners. Glow Power holds no rights to the technical data presented and does not intend to infringe upon copyrights or trademarks.